



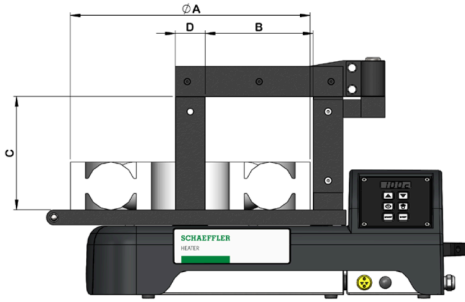
HEATER200-SMART-400V

Heating device, inductive

Schaeffler ID:
0966646810000

HEATER smart

Technical information



Technical data

U	400 V	Operating voltage
f	50 - 60 Hz	Frequency
P	8 kVA	Power consumption
I	20 A	Current rating
$\vartheta_{h \max}$	240 °C	Max. heating temperature
	0 - 99 min	Heating time
	Touch	Display
	2	Magnetic probe, quantity
≈m	84.5 kg	Weight

Functions

+	Temperature hold
+	Automatic demagnetization, <math><2A/cm</math>
+	Swivel arm
+	Log function
+	Delta-T control
+	Temperature control
+	Time control
+	Temperature and time control
+	Temperature and speed control
+	Overheating protection
only in temp. and speed mode	Automatic power reduction
+	Device supports horizontal / lying heating of the workpiece
+	Device supports vertical / hanging heating of the workpiece

Dimensions

	788 mm	Length HEATER
	315 mm	Width HEATER
	456 mm	Height HEATER
B	210 mm	Space between poles
C	205 mm	Pole length
D	70x80	Pole cross section (mm ²)

Workpiece to be heated

	45 mm	Min. inner diameter workpiece, vertical heating: with included yoke
	15 mm	Min. inner diameter workpiece, vertical heating: with optional yoke
	110 mm	Min. inner diameter workpiece, horizontal heating
ØA _{max}	600 mm	Max. outer diameter workpiece
	205 mm	Max. workpiece width, vertical heating
	200 mm	Max. workpiece width, horizontal heating
m _{b max}	200 kg	Max. workpiece weight

Additional information

	2	Yokes included, quantity
	30x30, 70x80	Yokes included, cross section (mm ²)