



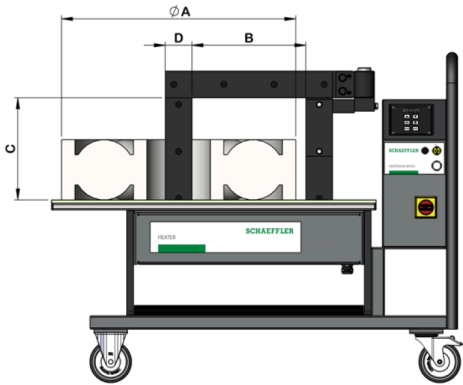
## HEATER400-BASIC-400V

Heating device, inductive

Schaeffler ID:  
0966633080000

HEATER basic

### Technical information



#### Technical data

U	400 V	Operating voltage
f	50 - 60 Hz	Frequency
P	12 kVA	Power consumption
I	30 A	Current rating
$\vartheta_{h \max}$	240 °C	Max. heating temperature
	0 - 99 min	Heating time
	Digital	Display
	1	Magnetic probe, quantity
≈m	176 kg	Weight

#### Functions

+	Temperature hold
+	Automatic demagnetization, <math><2A/cm</math>
+	Swivel arm
—	Log function
—	Delta-T control
+	Temperature control
+	Time control
—	Temperature and time control
—	Temperature and speed control
+	Overheating protection
+	Automatic power reduction
+	Device supports horizontal / lying heating of the workpiece
+	Device supports vertical / hanging heating of the workpiece
+	Device mobile

### Dimensions

	1,214 mm	Length HEATER
	560 mm	Width HEATER
	990 mm	Height HEATER
B	320 mm	Space between poles
C	305 mm	Pole length
D	80x100	Pole cross section (mm <sup>2</sup> )

### Workpiece to be heated

	115 mm	Min. inner diameter workpiece, vertical heating: with included yoke
	30 mm	Min. inner diameter workpiece, vertical heating: with optional yoke
	135 mm	Min. inner diameter workpiece, horizontal heating
ØA <sub>max</sub>	850 mm	Max. outer diameter workpiece
	315 mm	Max. workpiece width, vertical heating
	300 mm	Max. workpiece width, horizontal heating
m <sub>b max</sub>	400 kg	Max. workpiece weight

### Additional information

	1	Yokes included, quantity
	80x80	Yokes included, cross section (mm <sup>2</sup> )