

## WP-SSBP200

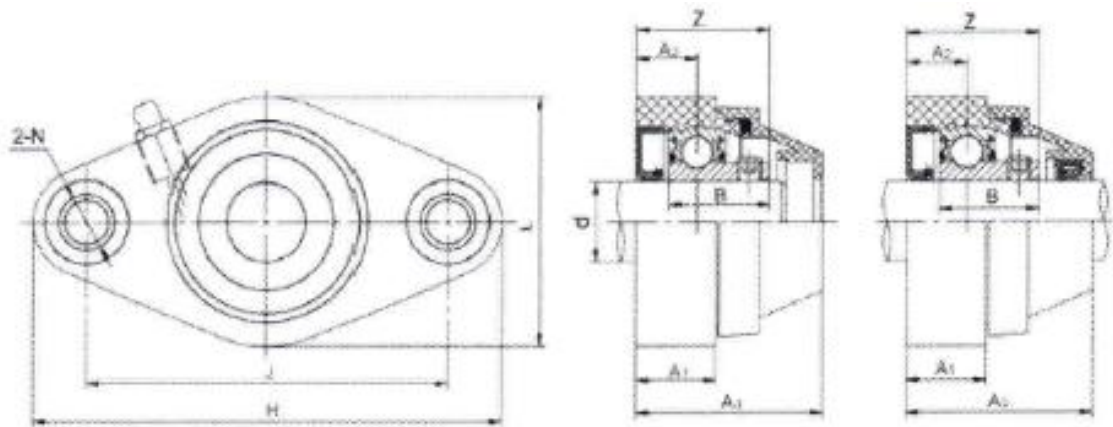
Unit No.	Shaft Dia		Dimensions(mm)											Bolt size (mm)	Housing Weight (kg)	
	d		L	J	H	Ho	H1	N	N1	A	A1	B	Z			A3
	(in)	(mm)														
WP-SSBP204		20	128	96	33.3	67	17	12	22	30	18.9	25	37.2	49.7	M10	0.26
WP-SSBP204-12	3/4		128	96	33.3	67	17	12	22	30	18.9	25	37.2	49.7	M10	0.26
WP-SSBP205		25	140	106	36.5	75	17	12	22	34.5	18.8	27	38.3	51.6	M10	0.33
WP-SSBP205-14	7/8		140	106	36.5	75	17	12	22	34.5	18.8	27	38.3	51.5	M10	0.33
WP-SSBP205-15	15/16		140	106	36.5	75	17	12	22	34.5	18.8	27	38.3	51.5	M10	0.33
WP-SSBP205-16	1		140	106	36.5	75	17	12	22	34.5	18.8	27	38.3	51.5	M10	0.33
WP-SSBP206		30	163	121	42.9	88	22	14	24	36	19.7	30	40.7	55	M12	0.49
WP-SSBP206-17	1-1/16		163	121	42.9	88	22	14	24	36	19.7	30	40.7	55	M12	0.49
WP-SSBP206-18	1-1/8		163	121	42.9	88	22	14	24	36	19.7	30	40.7	55	M12	0.49
WP-SSBP206-19	1-3/16		163	121	42.9	88	22	14	24	36	19.7	30	40.7	55	M12	0.49
WP-SSBP206-20	1-1/4		163	121	42.9	88	22	14	24	36	19.7	30	40.7	55	M12	0.49
WP-SSBP207		35	167	126	47.6	98	20	14	24	38.6	21.3	32	44.6	61	M12	0.64
WP-SSBP207-20	1-1/4		167	126	47.6	98	20	14	24	38.6	21.3	32	44.6	61	M12	0.64
WP-SSBP207-21	1-5/16		167	126	47.6	98	20	14	24	38.6	21.3	32	44.6	61	M12	0.64
WP-SSBP207-22	1-3/8		167	126	47.6	98	20	14	24	38.6	21.3	32	44.6	61	M12	0.64
WP-SSBP207-23	1-7/16		167	126	47.6	98	20	14	24	38.6	21.3	32	44.6	61	M12	0.64
WP-SSBP208		40	185	136	50	102	20	14	24	38.6	25	34	50.3	66.5	M12	0.86
WP-SSBP208-24	1-1/2		185	136	50	102	20	14	24	38.6	25	34	50.3	66.5	M12	0.86
WP-SSBP208-25	1-9/16		185	136	50	102	20	14	24	38.6	25	34	50.3	66.5	M12	0.86

\* Open / Close ( WP-OC200 / WP-CC200 ) covers are optional.

\* Housing's Color: White, Black

Cover's Color: red, green, yellow

\* This series could be added nanometers antibiotic to prevent colibacillus and Staphylococcus aureus effectively.



## WP-SSBFL200

Unit No.	Shaft Dia		Dimensions! mm)									Bolt size (mm)	Housing Weight (kg)
	d		H	J	A2	A1	N	L	B	Z	A3		
	(in)	(mm)											
WP-SSBFL204		20	117	90	15.2	20	11	62	25	33.5	46	M10	0.09
WP-SSBFL204-12	3/4		117	90	15.2	20	11	62	25	33.5	46	M10	0.09
WP-SSBFL205		25	131	99	16.8	22.5	11	71	27	36.3	49.5	M10	0.14
WP-SSBFL205-14	7/8		131	99	16.8	22.5	11	71	27	36.3	49.5	M10	0.14
WP-SSBFL205-15	15/16		131	99	16.8	22.5	11	71	27	36.3	49.5	M10	0.14
WP-SSBFL205-16	1		131	99	16.8	22.5	11	71	27	36.3	49.5	M10	0.14
WP-SSBFL206		30	149	118	20	26	11	85	30	42	55	M10	0.21
WP-SSBFL206-17	1-1/16		149	118	20	26	11	85	30	42	55	M10	0.21
WP-SSBFL206-18	1-1/8		149	118	20	26	11	85	30	42	55	M10	0.21
WP-SSBFL206-19	1-3/16		149	118	20	26	11	85	30	42	55	M10	0.21
WP-SSBFL206-20	1-1/4		149	118	20	26	11	85	30	42	55	M10	0.21
WP-SSBFL207		35	163	130	19.5	26	11	93	32	43	59	M10	0.21
WP-SSBFL207-20	1-1/4		163	130	19.5	26	11	93	32	43	59	M10	0.21
WP-SSBFL207-21	1-5/16		163	130	19.5	26	11	93	32	43	59	M10	0.21
WP-SSBFL207-22	1-3/8		163	130	19.5	26	11	93	32	43	59	M10	0.21
WP-SSBFL207-23	1-7/16		163	130	19.5	26	11	93	32	43	59	M10	0.21
WP-SSBFL208		40	177	144	23	30	11	102	34	48	65.5	M10	0.24
WP-SSBFL208-24	1-1/2		177	144	23	30	11	102	34	48	65.5	M10	0.24
WP-SSBFL208-25	1-9/16		177	144	23	30	11	102	34	48	65.5	M10	0.24

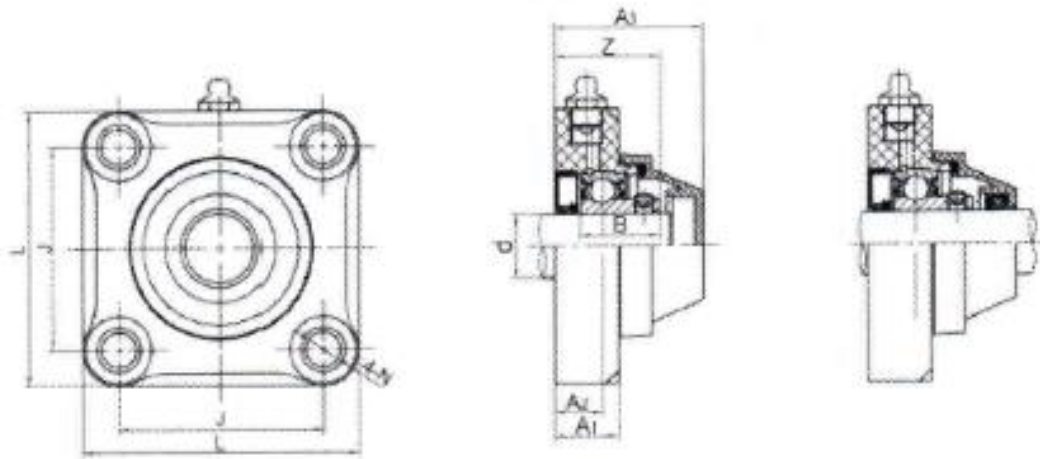
\* Open / Close ( WP-OC200 / WP-CC200 )covers are optional.

\* Housing's Color: White, Black

Cover's Color: red,green,yellow

\* This series could be added nanometers antibiotic to prevent colibacillus and Staphylococcus aureus effectively.





## WP-SSBF200

Unit No.	Shaft Dia		Dimensions(mm)								Bolt size (mm)	Housing Weight (kg)
	d		H	J	A2	A1	N	B	Z	A3		
	(in)	(mm)										
WP-SSBF204		20	86	83.5	15	22.5	11	25	36.3	49.5	M10	0.36
WP-SSBF204-12	3/4		86	83.5	15	22.5	11	25	36.3	49.5	M10	0.36
WP-SSBF205		25	98	70	16.8	22.5	11	27	36.3	49.5	M10	0.38
WP-SSBF205-14			98	70	16.8	22.5	11	27	36.3	49.5	M10	0.38
WP-SSBF205-15			98	70	16.8	22.5	11	27	36.3	49.5	M10	0.38
WP-SSBF205-16			98	70	16.8	22.5	11	27	36.3	49.5	M10	0.38
WP-SSBF206		30	110	83	20	26	11	30	41	55	M10	0.56
WP-SSBF206-17	1-1/16		110	83	20	26	11	30	41	55	M10	0.56
WP-SSBF206-18	1-1/8		110	83	20	26	11	30	41	55	M10	0.56
WP-SSBF206-19	1-3/16		110	83	20	26	11	30	41	55	M10	0.56
WP-SSBF206-20	1-1/4		110	83	20	26	11	30	41	55	M10	0.56
WP-SSBF207		35	120	92	19.5	26	11	32	45	59	M10	0.77
WP-SSBF207-20			120	92	19.5	26	11	32	45	59	M10	0.77
WP-SSBF207-21			120	92	19.5	26	11	32	45	59	M10	0.77
WP-SSBF207-22			120	92	19.5	26	11	32	45	59	M10	0.77
WP-SSBF207-23			120	92	19.5	26	11	32	45	59	M10	0.77
WP-SSBF208		40	131	102	22	30	11	34	47.5	65.5	M10	0.99
WP-SSBF208-24	1-1/2		131	102	22	30	11	34	47.5	65.5	M10	0.99
WP-SSBF208-25	1-9/16		131	102	22	30	11	34	47.5	65.5	M10	0.99

\* Open / Close ( WP-OC200 / WP-CC200 ) covers are optional.

\* Housing's Color: White, Black

Cover's Color: red, green, yellow

\* This series could be added nanometers antibiotic to prevent colibacillus and Staphylococcus aureus effectively.